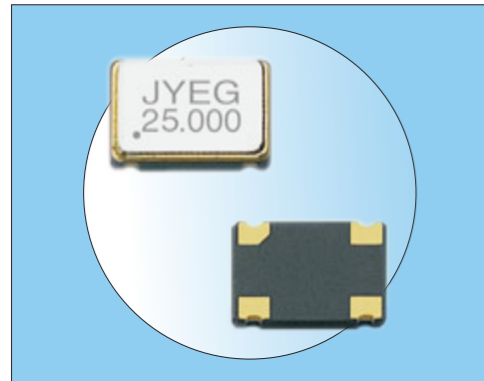


Crystal Clock Oscillators

Clock Oscillator/SMD7050



Features

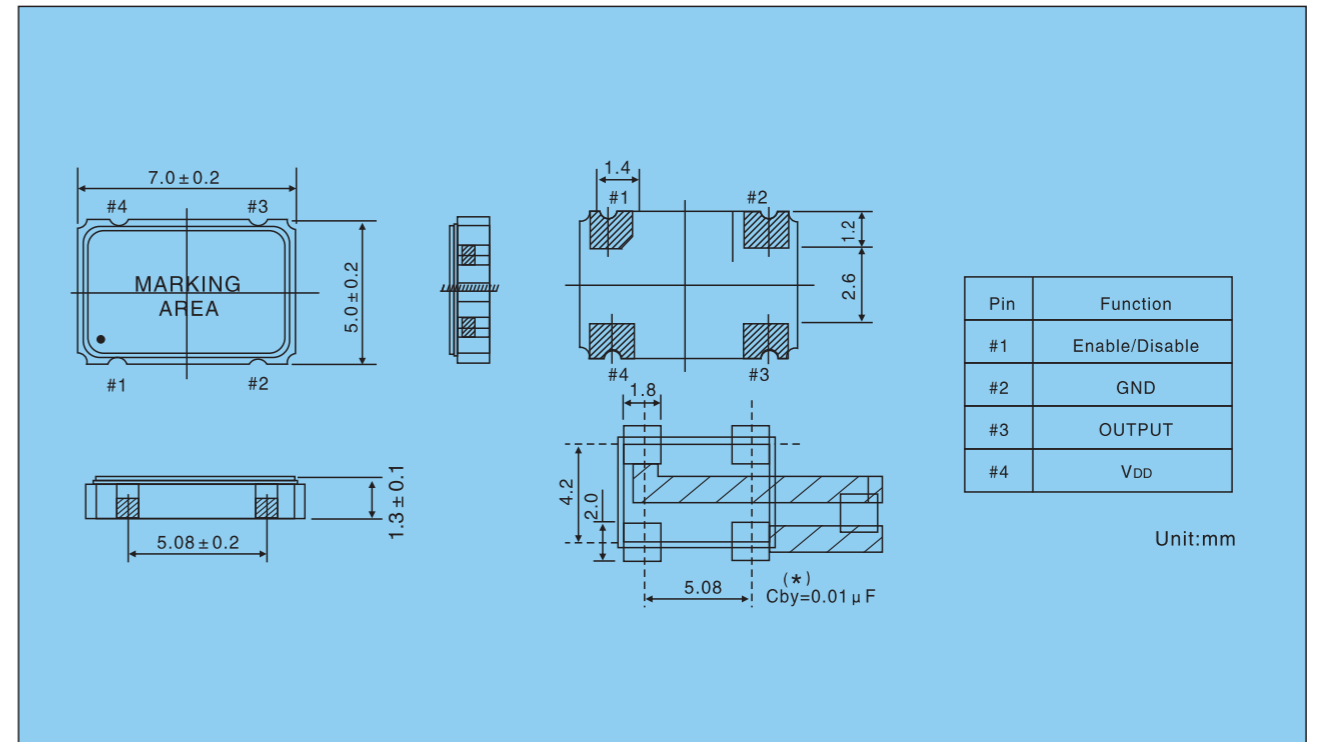
- JYEG part number :JYOD7
- 1.8–3.3V 5V supply voltage
- CMOS/TTL output
- Tri-state function available
- Tape and reel available

TYPICAL SPECIFICATIONS

Type	OSC SMD7050		
Frequency Range	32.768KHz, 6–45MHz:AT1; > 45–133MHz:AT3		
Frequency Stability	$\geq \pm 20\text{ppm}/\geq \pm 25\text{ppm}$		
Operating Temperature Range	$-20^{\circ}\text{C}\sim 70^{\circ}\text{C}/-40^{\circ}\text{C}\sim 85^{\circ}\text{C}$		
Output Load	1–5TTL or COMS 30pF Max		
	voltage	5V	1.8–3.3V
	$\leq 35\text{MHz}$	$\leq 12\text{mA}$	$\leq 8\text{mA}$
Input Current	$35\sim 45\text{MHz}$	$\leq 16\text{mA}$	$\leq 16\text{mA}$
	$54\sim 70\text{MHz}$	$\leq 30\text{mA}$	$\leq 25\text{mA}$
	$70\sim 133\text{MHz}$	$\leq 50\text{mA}$	$\leq 45\text{mA}$
Supply Voltage	$5.0\text{V} \pm 10\%/3.3\text{V} \pm 10\%/2.5 \pm 10\%/1.8 \pm 10\%$		
Start-up Time	6–45MHz:1ms Max / > 45–133MHz:3ms Max		
Duty Cycle	40%–60% Normal, 45%–55% Tight		
Rise/Fall Time	5ns Max		
Output "0" Level	TTL	CMOS	
	0.4V Max	10%VDD Max	
Output "1" Level	TTL	CMOS	
	2.4V Min	90%VDD Min	
Tri-state	Pin1:0.7 VDD Min(High)or open,Output:Enable Pin1:0.3 VDD Max(Low),Output:Disable		
Jitter	5.0ps Max		
Aging	$\pm 5\text{ppm/year Max}$		
Storage Temperature Range	$-55^{\circ}\text{C}\sim 125^{\circ}\text{C}$		

Crystal Clock Oscillators

OSC SMD7050(JYOD7)



TAPE AND REEL DIMENSIONS

