

Quartz Crystals

Surface Mount Type Quartz Crystal / HC-49US/SMD

CRYSTAL



Features

- JYEG part number: JYSD1, JYSD1-3, JYSD2
- AT, BT available
- Tape and reel
- Tight tolerance/stability

TYPICAL SPECIFICATIONS

Type	HC-49US/SMD	HC-49US[3.2]/SMD	HC-49US/SMD-3
Frequency Range	3.4875~41MHz	24~44MHz	24.576~75MHz
Mode of Vibration	AT Fundamental	BT Fundamental	3rd Overtone
Resonance Resistance(Ω)	150~25	30~40	120~60
Frequency Tolerance at 25°C	±5ppm~±50ppm		
Shunt Capacitance	7pF Max		
Frequency Stability Over Temperature Range	AT CUT(See table)	BT CUT	±50ppm/0°C~+50°C ±100ppm/-10°C~+60°C ±125ppm/-20°C~+70°C
Load Capacitance	5~50pF or Series		
Insulation Resistance	>500MΩ/DC100V ±15V		
Drive Level	200nW~1mW		
Aging	±3ppm~5ppm/year		

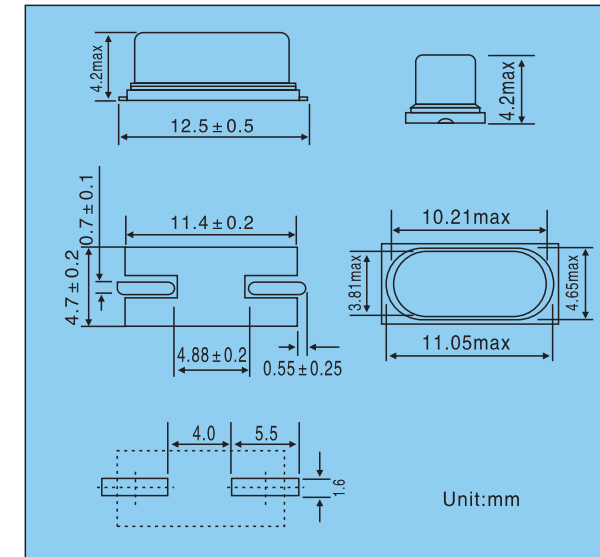
FREQUENCY STABILITY OVER TEMPERATURE RANGE(AT CUT)

Temperature Range	Frequency Stability						
	±3ppm	±5ppm	±10ppm	±15ppm	±20ppm	±30ppm	±50ppm
0°C~+50°C	☆	☆	☆	☆	☆	☆	☆
-10°C~+60°C		☆	☆	☆	☆	☆	☆
-20°C~+70°C			☆	☆	☆	☆	☆
-40°C~+85°C				☆	☆	☆	☆
-40°C~+105°C						☆	☆
-55°C~+125°C							☆

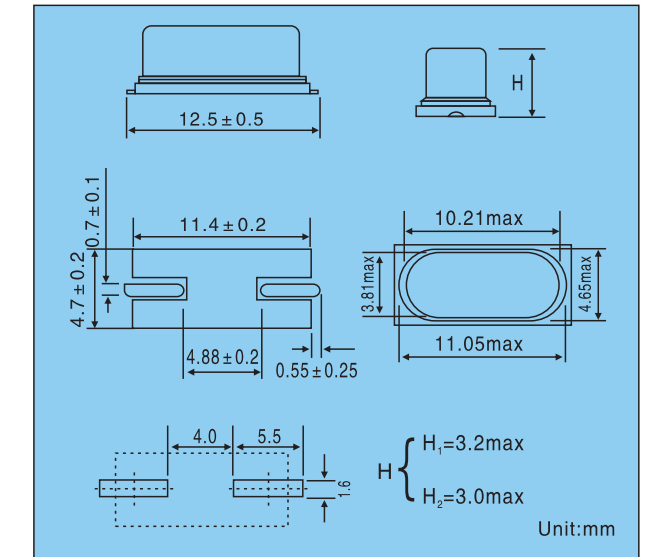
Quartz Crystals

CRYSTAL

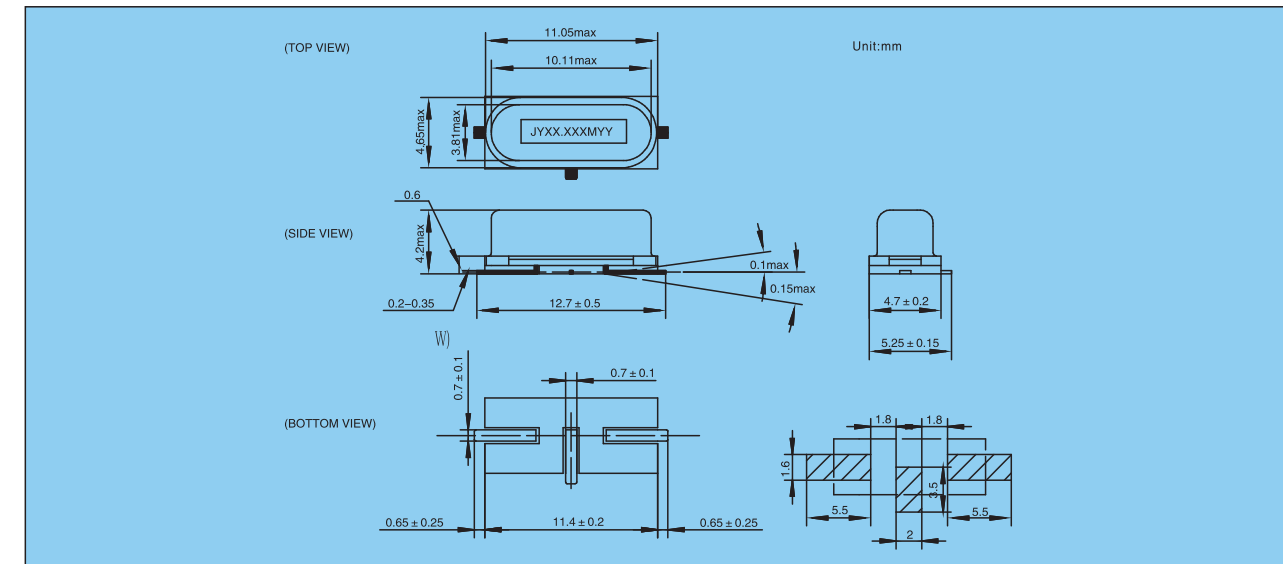
HC-49US(3.5)/SMD(JYSD1)



HC-49US(2.5)/SMD(JYSD2)



HC-49US/SMD-3PIN(JYSD1-3)



TAPE AND REEL DIMENSIONS

