

Quartz Crystals

Quartz Crystal Unit /HC-49U/SMD-CLIP

CRYSTAL



Features

- JYEG Part number: JYUD
- AT, BT available
- TAPE & Reel
- Tight tolerance/stability

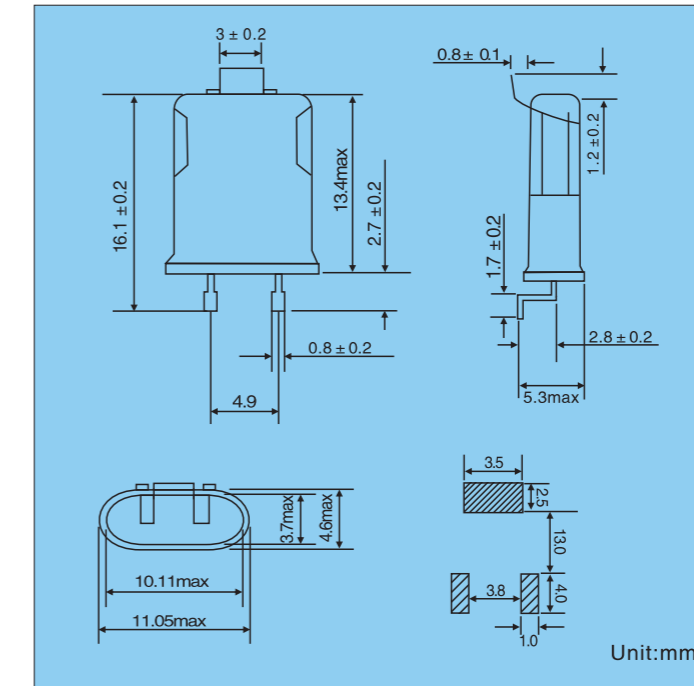
TYPICAL SPECIFICATIONS

Type	HC-49U			
Frequency Range	1.8432~40M	23~100M	100~150M	120~200M
Mode of Vibration	AT Fundamental	3rd Overtone	5th Overtone	7th Overtone
Resonance Resistance(Ω)	20~600	40~60	80Max	100Max
Frequency Tolerance at 25°C	± 5ppm~ ± 50ppm			
Shunt Capacitance	9pF Max			
Frequency Stability Over Temperature Range	See table			
Load Capacitance	6~50pF or Series			
Insulation Resistance	> 500MΩ/DC100V ± 15V			
Drive Level	200nW~1mW			
Aging	± 3ppm~ ± 5ppm/year			

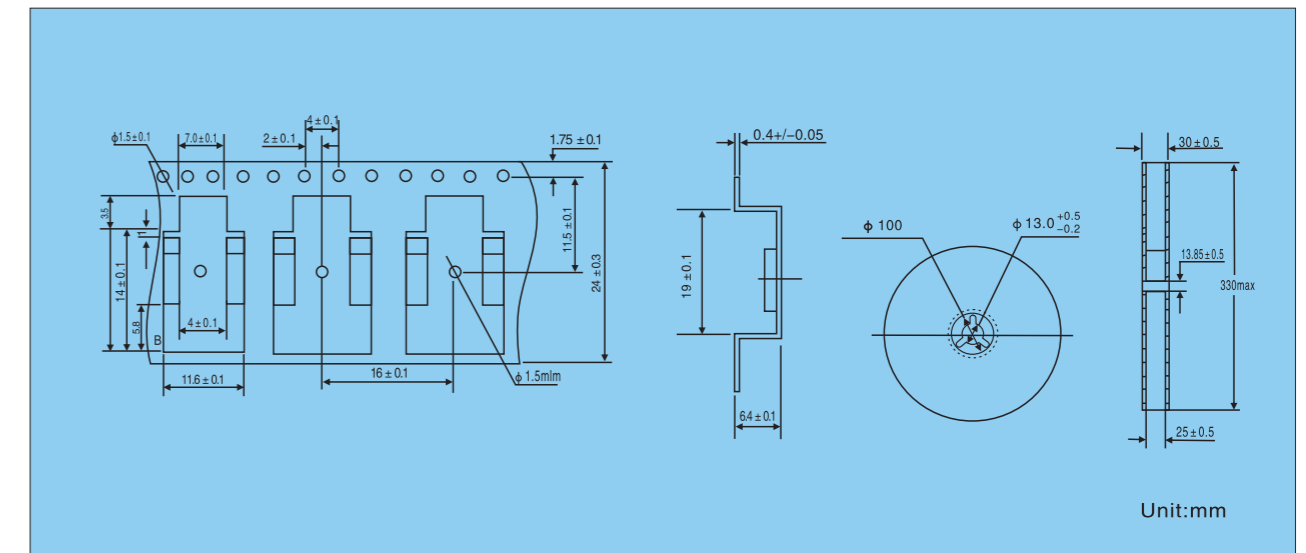
FREQUENCY STABILITY OVER TEMPERATURE RANGE(AT CUT)

Temperature Range	Frequency Stability						
	± 3ppm	± 5ppm	± 10ppm	± 15ppm	± 20ppm	± 30ppm	± 50ppm
0°C ~ +50°C	☆	☆	☆	☆	☆	☆	☆
-10°C ~ +60°C		☆	☆	☆	☆	☆	☆
-20°C ~ +70°C		☆	☆	☆	☆	☆	☆
-40°C ~ +85°C			☆	☆	☆	☆	☆
-40°C ~ +105°C					☆	☆	
-55°C ~ +125°C							☆

HC-49U/SMD-CLIP(JYUD)



TAPE AND REEL DIMENSIONS



CRYSTAL