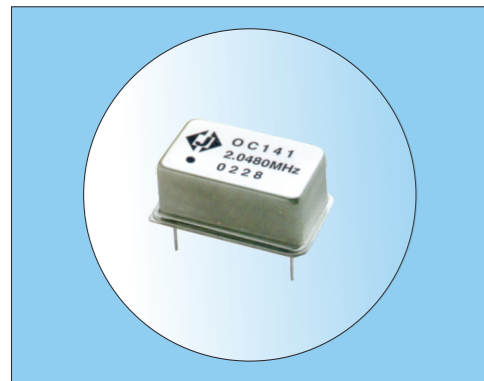


Crystal Oscillators

Oven Controlled Crystal Oscillator/OCXO-14



Features

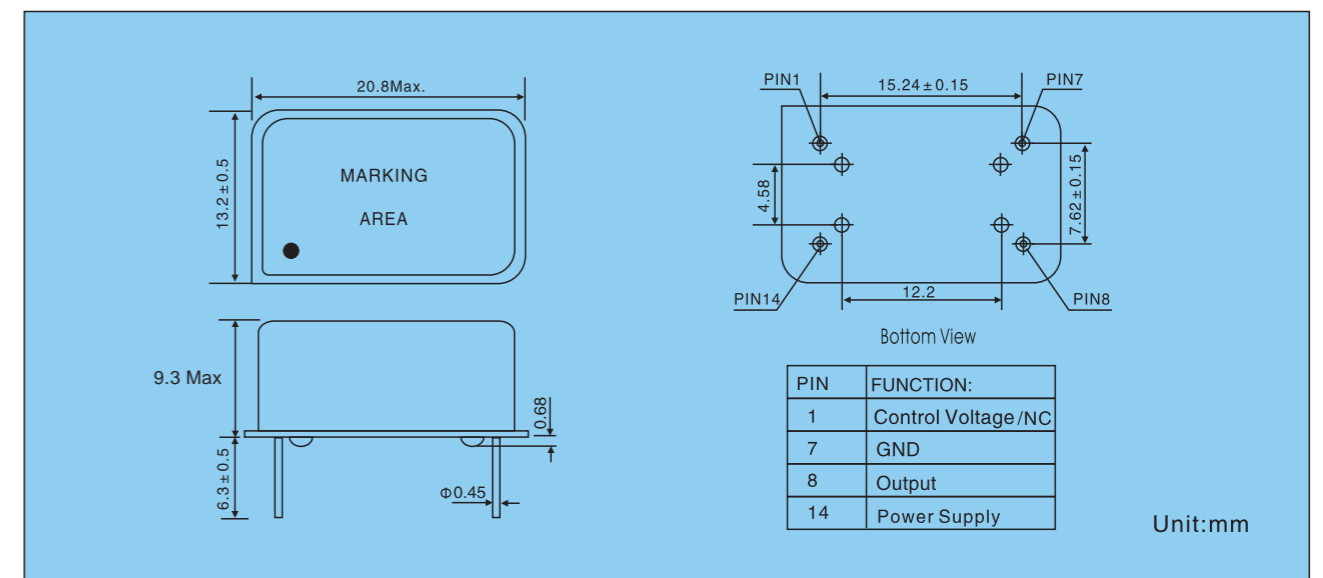
- AT/SC Cut
- JYEG Part Number: JYOC14
- Low Aging, Compact Package
- APPLICATIONS:
SDH/SONET, ATM, WLL
Measurement Equipment

TYPICAL SPECIFICATIONS

Type	OCXO14
Frequency Range	2-100MHz (for AT Cut); 10-40MHz (for SC Cut)
Standard Frequency	10、12.8、20、38.88、100MHz
Frequency Accuracy	± 0.5ppm(center control voltage)
Frequency Stability vs Temperature	±100ppb Typical (AT) ; ±10ppb (SC)
Operating Temperature Range	0°C ~ +50°C, -20°C ~ +70°C, -40°C ~ +85°C
Aging (AT) (SC)	First year ±0.5ppm, 10 years ±3ppm
	First year ±0.1ppm, 10 years ±1ppm
Short term stability	1.0x10 ⁻¹⁰ /s1 (10MHz)
Output Type and Load Characteristics	See Table
Frequency Stability vs Load	±20ppb vs ±10% load change (AT); ±2ppb(SC)
Supply Voltage	+3.3VDC, +5.0VDC, +12VDC
Frequency Stability vs Voltage	±20ppb vs ±5% voltage change (AT); ±5ppb(SC)
Supply Consumption	2.0W(Max.)when warm-up; 1.0W(Max.)when static
Warm-up Time	± 0.5ppm, <3min
Adjustable Frequency Range	± 5ppm (AT) ; ± 0.6ppm (SC)
Control Voltage Range	0~3.3V, 0~5V
Slope	Positive
Linearity	± 10%
Phase Noise(10MHz)	10Hz, -90dBc/Hz
	100Hz, -120dBc/Hz
	1kHz, -145dBc/Hz
	10kHz, -150dBc/Hz
Storage Temperature Range	-40°C ~ +100°C

Crystals Oscillators

OCXO-14

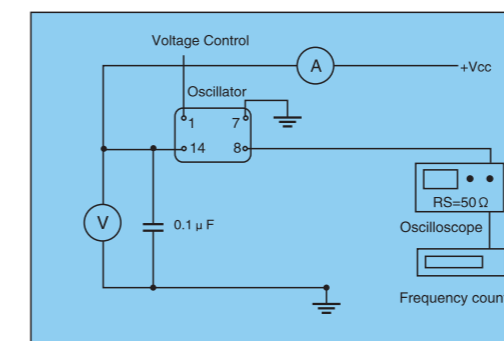


OUTPUT TYPE AND LOAD CHARACTERISTICS TABLE 1

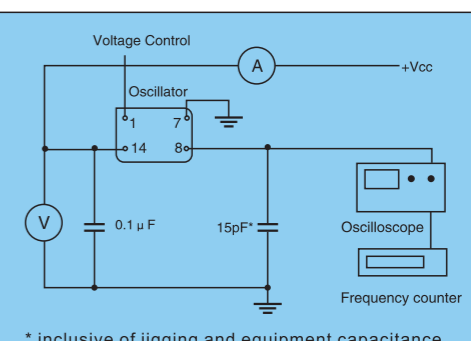
Output Waveform	Sine Wave (AT Cut only)
Output Characteristics	Load: 50 Ω Output level: > 2dBm Harmonic: < -25dBm Noise Suppression: < -75dBm

Output Waveform	HCMOS/LVCMOS
Output Characteristics	Load: 15pF TYP, 50PFMax. available "1" level: > 0.9VDD; "0" level: < 0.1VDD Duty cycle: 45/55 Rise/fall time: < 6ns (f _o < 40MHz) Rise/fall time: < 3ns (f _o > 40MHz)

Test Circuit-Sine Wave



Test Circuit-CMOS



* inclusive of jigging and equipment capacitance