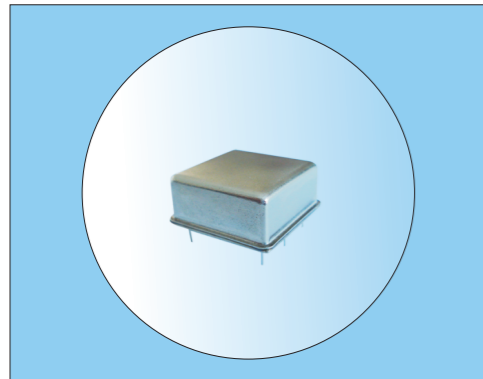


Crystal Oscillators

Oven Controlled Crystal Oscillator/OCXO-25



Features

- AT/SC Cut
- JYEG Part Number: JYOC25
- Low Aging, Compact Package
- APPLICATIONS:
PCS Base Station, Cellular Base Station
Synthesizer, Digital Switching
Measurement Equipment

TYPICAL SPECIFICATIONS

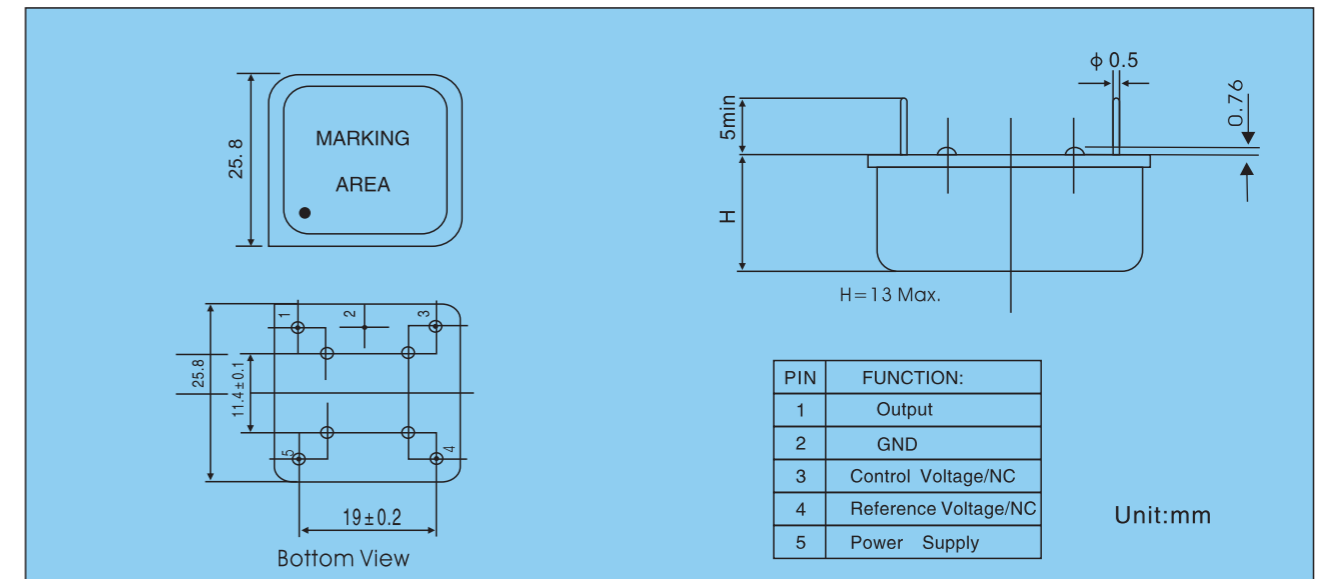
Type	OC25
Frequency Range	2~100MHz
Standard Frequency	10、12.8、20、38.88、100MHz
Frequency Accuracy	±0.2ppm(center control voltage)
Frequency Stability vs Temperature	See Table 1
Aging(AT Cut)	±2ppb/day, first year ±300ppb, 10 years ±2ppm
(SC Cut)	±1ppb/day, first year ±100ppb, 10years ±0.5ppm
Short term stability	1x10 ⁻¹¹ /s (10MHz SC)
Output Type and Load Characteristics	See Table 2
Frequency Stability vs Load	±2ppb vs ±10% load change (10MHz SC)
Supply Voltage	±3.3VDC, +5.0VDC, +12.0VDC
Frequency Stability vs Voltage	±10ppb vs ±5%voltage change
Supply Consumption	3.6W(Max.)when warm-up; 1.2W(Max.)when static
Warm-up Time(AT Cut)	±0.2ppm, <3min
(SC Cut)	±0.1ppm, <3min
Adjustable Frequency Range(AT Cut)	±3.0ppm
(SC Cut)	±0.7ppm
Control Voltage Range	0~3.3V 0~5V
Slope	Positive
Linearity	±10%
Phase Noise(10MHz) SC	10Hz, -120dBc/Hz
	100Hz, -140dBc/Hz
	1kHz, -145dBc/Hz
	10kHz, -150dBc/Hz
Storage Temperature Range	-40°C~+100°C

FREQUENCY STABILITY VS TEMPERATURE TABLE 1

Frequency Stability vs Temperature	Temperature Range
±50ppb(AT Cut)	0°C - +50°C
±5ppb(SC Cut)	0°C - +50°C
±100ppb(AT Cut)	-20°C - +70°C
±10ppb(SC Cut)	-20°C - +70°C
±100ppb(AT Cut)	-40°C - +75°C
±20ppb(SC Cut)	-40°C - +75°C

Crystal Oscillators

OCXO-25

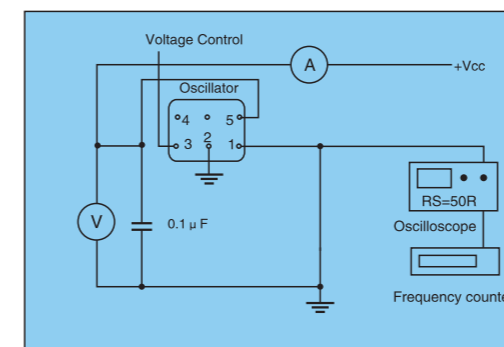


OUTPUT TYPE AND LOAD CHARACTERISTICS TABLE 2

Output Waveform	Sine Wave
Output Characteristics	Load: 50 Ω Output level: > 5dBm Harmonic: < -30dBm Noise Suppression: < -75dBm

Output Waveform	HCMOS/LVCMOS
Output Characteristics	Load: 15PF TYP/50PF Max. available "1" level: > 0.9VDD; "0" level: < 0.1VDD Duty cycle: 45/55 Rise/fall time: < 6ns (fn < 40MHz) < 3ns (fn > 40MHz)

Test Circuit-Sine Wave



Test Circuit-CMOS

